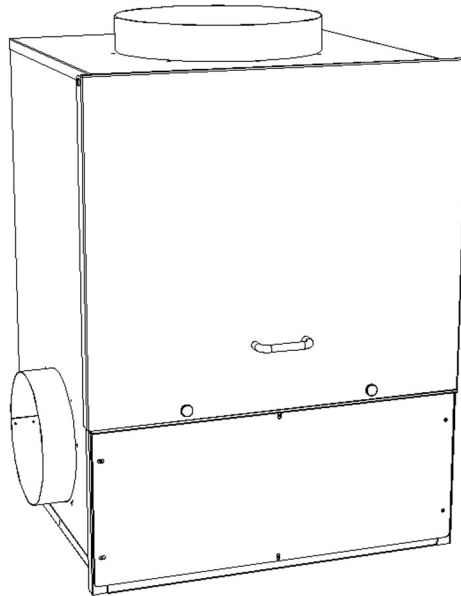


Five Seasons

OWNER'S MANUAL

MODEL FSHEPA550-3 WHOLE-HOUSE TRUE HEPA AIR CLEANER

IMPORTANT: PLEASE READ MANUAL BEFORE OPERATING UNIT



Features

- Long-life, True HEPA (High Efficiency Particulate Air) Filter is 99.97% efficient at removing particles 0.3 micron
- Activated Carbon Prefilter removes lint and unpleasant odors, to extend life of HEPA Filter
- Carbon VOC After Filter removes additional unpleasant odors and gases
- Heavy-duty Carbon/Potassium Permanganate VOC After Filter (optional upgrade) removes noxious odors and fumes emitted from household sources
- Easy-to-change filters
- Heavy gauge steel cabinet and powder-coat paint finish provide rigid installation and durability
- Powerful motor delivers 560 CFM of filtered air
- Small footprint for easier, more convenient installation
- Reversible air outlet for versatility
- Versatile installation can be freestanding, floor, ceiling or wall mounted

SAFETY CONSIDERATIONS

Read and follow instructions carefully. Follow all local electrical codes during installation. All wiring must conform to local and national electrical codes. Improper wiring or installation may damage the HEPA Air Cleaner.

Understand the signal words **WARNING** and **CAUTION** which are present in the Owner's Manual. **WARNING** and **CAUTION** signify a hazard which could result in property damage, personal injury or death.

WARNING

Before beginning any installation or modification, be certain that the main line electrical disconnect switch is in the **OFF** position. Electric shock could result. Tag disconnect switch with suitable warning labels.

Only a heating/air conditioning installer or qualified service person should install, repair, or service your Whole-House HEPA Air Cleaner.

Homeowners or untrained personnel can perform the basic maintenance functions of replacing filters.

When working on air cleaning equipment, observe precautions in the Owner's Manual, labels attached to the unit, and other safety precautions that may apply. Follow all safety codes. Wear safety glasses and work gloves.

WHAT THE HEPA AIR CLEANER DOES

The Whole-House HEPA Air Cleaner has been designed to remove particulate such as atmospheric and household dust, coal dust, insecticide dust, mites, pollen, mold spores, fungi, bacteria, viruses, pet dander, cooking smoke and grease, tobacco smoke and more. It also removes odors (with Carbon Prefilter and Carbon VOC After Filter) and heavy-duty odors and fumes (with optional Carbon/Potassium Permanganate VOC Filter).

BENEFITS

- Helps provide relief from allergies, asthma, and other respiratory illness.
- Helps reduce housekeeping time and redecorating costs.
- Provides a healthier, more comfortable environment, year-round.

HOW IT WORKS

Millions of airborne pollutants are carried through the return air ducts of the heating/cooling system. The HEPA Air Cleaner has been designed to be ducted to the return air duct. A portion of this return air is by-passed through a 12 inch intake duct on the top of the unit and passes through a 3-stage filtration system.

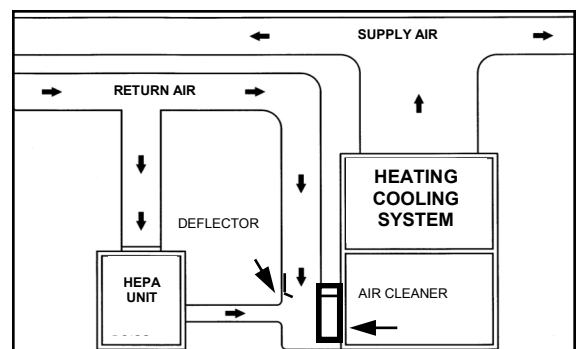
The Activated Carbon Prefilter (1 inch pleated, activated carbon impregnated polyester filter) first removes lint and odors before they enter the HEPA filter.

Smaller particles then pass through a long-life, HEPA (High Efficiency Particulate Air) Filter which captures 99.97% of particles 0.3 micron (1/84,000 of an inch) and larger. This 6 inch filter has more than 188 ft² of collection surface area.

Air is then drawn through a Carbon VOC (Volatile Organic Compound) Filter (2 inch) to remove unpleasant odors and gases, or an optional Carbon/Potassium Permanganate VOC Filter to remove noxious odors and fumes like formaldehyde, heptane, tetrachloroethylene, toluene, etc. that are off-gased from carpets, cabinets, furniture, paints, pesticides, personal care products, cleaners, etc.

Clean air is discharged through an 8 inch duct, back into the return air duct.

INSTALLATION



WARNING

This unit must be installed on the return air side of the system only. Do not connect to supply side. Do not install in a cooking area or connect directly to any appliance.

LOCATION

The HEPA Air Cleaner should be located as close to the return air duct as possible. This allows for shorter lengths of ducting which helps keep the static pressure lower. The unit can be adapted to mount on a wall or be suspended from the ceiling. Care should be taken to keep the unit away from an area where there is a possibility of moisture leaking on to it. Ensure there is 36 inches in front of the unit to remove the filters for cleaning or replacing.

GENERAL INSTALLATION STEPS

1. Remove plastic from filters before installing.
2. When the unit is shipped, the intake and exhaust collars are reverse mounted to prevent damage in shipping. The intake collar must be removed and reattached with the collar ring facing out. The exhaust collar can be mounted on either side of the unit with the ring out. The opposite side will be covered with the exhaust cover. **This cover must be installed for the unit to operate properly.**
3. An inlet collar is provided on the unit to allow a

flexible 12 inch intake duct, from the cold air return, to be attached. The 12 inch intake must be drawn from the cold air return duct at a location that will be ahead of the clean exhaust air, that will be returned to the duct from the Air Cleaner.

4. A duct adapter and a length of 12 inch flexible hose or duct is required to attach between the 12 inch intake collar and the existing cold air return duct. When running the hose, make sure that there are no kinks or sharp bends that will impede the air flow to the unit. Secure and seal the hose and connections to prevent air leakage.
5. The 8 inch exhaust collar can be conveniently mounted on either side of the unit. A duct adapter and a length of 8 inch flexible hose or duct is required to attach between the exhaust collar and the existing cold air return. The exhaust hose should be attached to the return air duct, close to the furnace. The ideal location is low on the return air boot pointing at the furnace. To prevent air shear inside the duct, it is recommended that you install a deflector inside the boot, so the discharged air is deflected down into the boot. When running the hose, make sure that there are no kinks or sharp bends that will impede the air flow from the unit. Secure and seal the hose and connections to prevent air leakage.
6. It is important to maintain some distance between the intake and the exhaust openings in the return air duct. Failure to do this may result in short cycling between the intake and the clean air discharge. It is recommended you leave 10 feet between the intake and the exhaust; however, as little as 6 feet will work effectively. If the distance is smaller than 6 feet, it is important that an air deflector is installed in the duct.
7. If outside air is introduced into the return air duct, either through a HRV (Heat Recovery Ventilator) or direct, it should be added to the system before the intake inlet to the Air Cleaner.

OPERATING INSTRUCTIONS

WARNING

Never use the unit without all of the filters in place.

The HEPA Air Cleaner is designed to run continuously to provide clean, filtered air 24 hours a day. The fan on the heating/cooling system, to which the HEPA Air Cleaner is dependent on for circulated air, should be on 'continuous'.

Note: *If the system fan setting is on 'automatic', it is recommended the HEPA Air Cleaner be operated through an air switch or relay to turn the Air Cleaner off, when there is no system fan on.*

The unit plugs into a regular 120 volt outlet and is controlled by a switch located on the rear panel, near the cord.

Note: *Do not allow the cord to be placed where it may be walked on or allow anything to roll over it.*

The door must be secured for the Air Cleaner to operate, as the door is interlocked for safety. All filters must be in place for the unit to operate properly.

MAINTENANCE

CAUTION

Make sure to turn Air Cleaner **OFF** before performing any maintenance or removing any components.

For efficient operation, the filters must be changed on a regular basis. If you notice a reduction in air flow from the system, check the filters.

1. To access the filters, turn the Air Cleaner **OFF** at the switch and remove the front door.
2. Carefully remove filters to avoid spilling of collected contaminants. Dispose filters in a plastic bag and discard with regular household trash.
3. Remove plastic from new filters before installing. Discard plastic safely. Take care not to damage the filters.
4. Date the replacement filters in the space provided.
5. Ensure that the direction arrow on filter is pointing toward the fan blade.
6. Use genuine replacement filters only. Call the original installer for parts.

Note: *When the filters are new, you may notice a new smell from the system. This is normal and will dissipate within a few days.*

Carbon Prefilter (Part #W5-0810): This must be replaced every 3 - 6 months and may be vacuumed between changes. Use a soft brush attachment when cleaning.

True HEPA Filter (Part #W5-0860-3): Replace every 3-5 years. The life of this filter depends on the amount of contaminants in the air and the frequency in which the prefilter has been changed. Renovations in the home that create wood, drywall dust or similar contaminants will shorten the life expectancy of the HEPA filter.

Note: *Handle the HEPA filter by the frame only. The paper is fragile and a puncture or tear will reduce efficiency.*

CAUTION

The new HEPA filter may be tight to install the first time. Do not push from the center of filter. Apply even pressure at both corners.

VOC After Filters: The 2 inch standard or heavy-duty optional upgrade filters must be replaced every 6 - 12 months. If there are heavy odors in the home from cooking, smoking, painting or other sources, the filter may require changing more often.

Replacement VOC After Filters (2 inch):

Carbon Filter Part #W5-0820

Carbon/Potassium

Permanganate Filter

Part #W5-0885

TECHNICAL DATA

Dimensions	Length Width Height	21.5 in 20.5 in 28.0 in	54.5 cm 52.0 cm 71.0 cm
Intake		12.0 in	30.5 cm
Outflow		8.0 in	20.3 cm
Unit Weight		88.0 lbs	39.9 kg
Input Voltage		120 V 60 Hz	
Power Consumption		215 Watts	
Air Flow		560 CFM	951 m ³ /hr
Cabinet		18 gauge	
Power Cord		9.0 ft	2.74 m
Filter Dimensions	Carbon Prefilter HEPA Filter Carbon VOC Filter Carbon/Potassium VOC Filter	19.5 x 19.5 x 1 in 19.5 x 19.5 x 6 in 19.5 x 19.5 x 2 in 19.5 x 19.5 x 2 in	49.5 x 49.5 x 2.5 cm 49.5 x 49.5 x 15.3 cm 49.5 x 49.5 x 5.0 cm 49.5 x 49.5 x 5.0 cm
Carbon Prefilter Collecting Surface Area		6.3 ft ²	0.585 m ²
HEPA Collecting Surface Area		188 ft ²	17.47 m ²
VOC After Filter Collecting Surface Area		9.5 ft ²	0.883 m ²

WHOLE-HOUSE HEPA AIR CLEANER LIMITED FIVE (5) YEAR WARRANTY

This FIVE SEASONS product is warranted to be free from electrical and mechanical defects in material and workmanship, under normal use and maintenance, within its listed capacity.

1st Year From Date of Installation: Parts and labor at no cost.
2nd - 5th Year From Date of Installation: Parts only at no cost. Labor charges extra.

The warranty does not include the Carbon Prefilter, HEPA Filter, Carbon VOC Filter or Carbon/Potassium Permanganate VOC Filter. The FIVE SEASONS product must not have been moved from the site of original installation. A new or remanufactured part to replace the defective part will be provided without charge for the part itself, through an authorized FIVE SEASONS service dealer, provided the defective part is returned to the FIVE SEASONS distributor **prepaid**. The replacement part assumes the unused portion of the warranty. **Proof of Purchase and Installation** must be provided. Failing this, FIVE SEASONS will guarantee the unit for a period of sixty (60) months from the date of manufacture, according to the manufacturer's records and conditions stated in this warranty.

LIMITATIONS OF WARRANTY - All implied warranties (including implied warranties of merchantability) are hereby limited in duration to the period for which the limited warranty is given. The expressed warranties made in this warranty are exclusive and may not be altered, enlarged, or changed by any distributor, dealer or other person whatsoever.

FIVE SEASONS COMFORT LIMITED WILL NOT BE RESPONSIBLE FOR:

1. Normal maintenance as outlined in the Owner's Manual including cleaning and/or replacement of filters.
2. Damage or repairs needed as a consequence of any misapplication, negligent handling, improper servicing, unauthorized alteration, or improper operations.
3. Damage or repairs required as a consequence of faulty installation or application by others.
4. Failure to start due to voltage conditions, blown fuses, open circuit breakers or other damages due to the inadequacy or interruption of electrical service.
5. Damage as a result of floods, winds, fires, lightning, accidents, corrosive atmosphere, or other conditions beyond the control of FIVE SEASONS COMFORT LIMITED.
6. Parts, including filters, not supplied or designated by FIVE SEASONS COMFORT LIMITED.
7. FIVE SEASONS COMFORT LIMITED products installed outside of the continental Canada, U.S.A., Alaska and Hawaii.
8. Any personal injury, special indirect or consequential property or commercial damage of any nature whatsoever.

Model No.

Serial No.

Date of Installation

Installed By

Owner's Name & Address

RETAIN THIS CERTIFICATE WITH YOUR DOCUMENTS

FIVE SEASONS COMFORT LIMITED

351 North Rivermede Road, Concord, Ontario, Canada L4K 3N2
 Tel: (416) 213-5636 **Toll Free 1-800-267-8305** Fax: (416) 213-5593
 info@fiveseasonsaircleaners.com www.fiveseasonsaircleaners.com